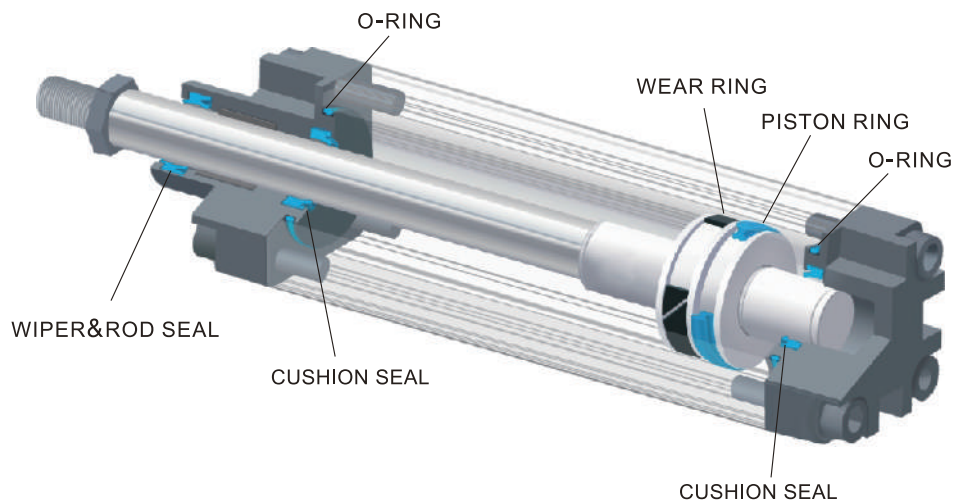




PNEUMATIC SEALS FOR GENERAL INDUSTRIES



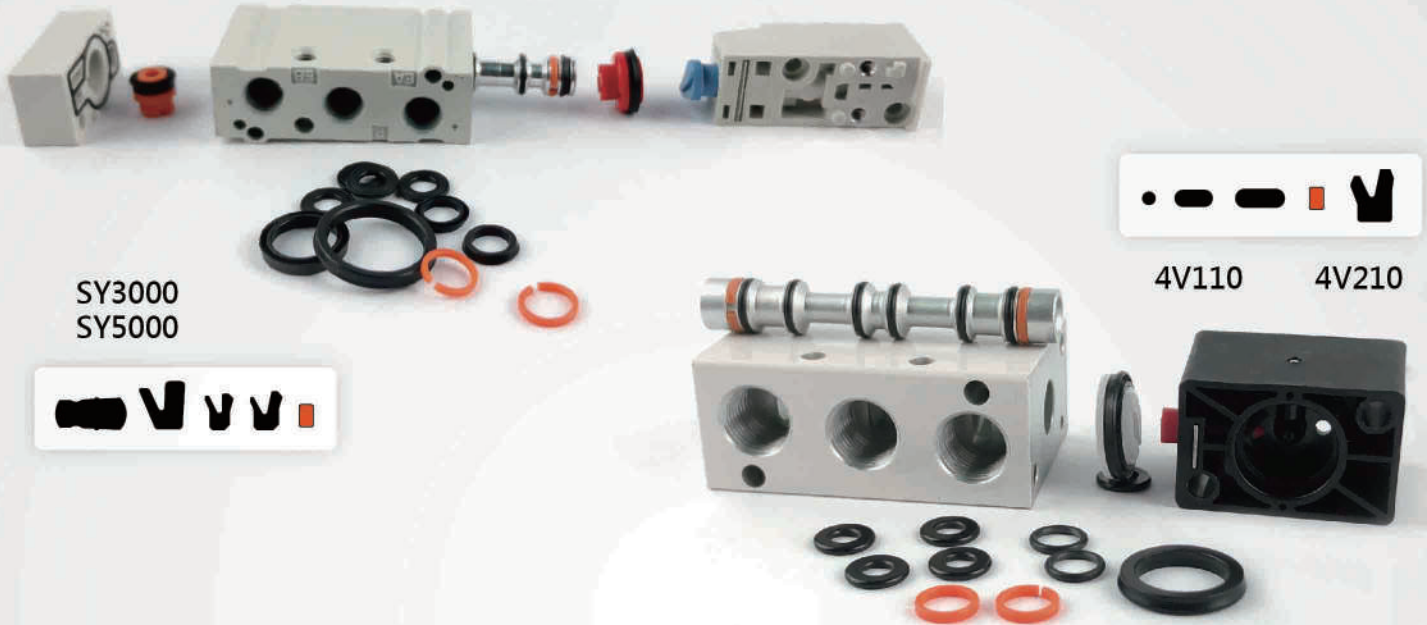
PETSEALS INDUSTRIES LTD.
www.petseals.com



AFTERMARKET PNEUMATIC CYLINDER & SOLENOID VALVE SEAL KITS

FOR FESTO, SMC & AIRTAC

SOLENOID VALVE SEAL KITS



SY3000
SY5000

4V110

4V210



PNEUMATIC CYLINDER SEAL KITS

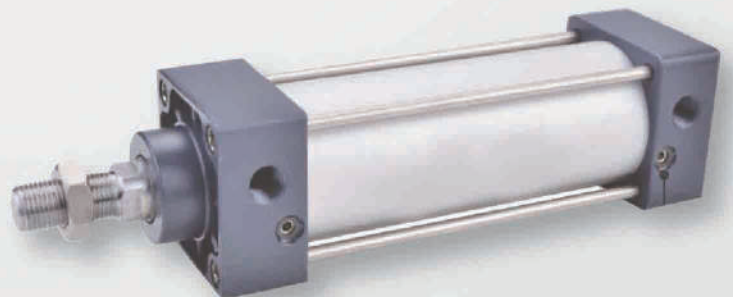
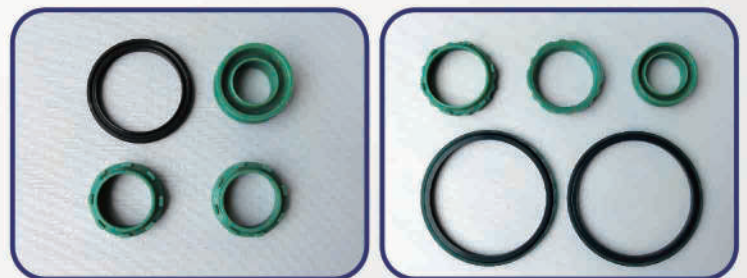
PISTON SEAL



ROD WIPER



CUSHION



PETSEALS INDUSTRIES LTD.

No.9, Ln. 229, Sec. 1, Zhongshan Rd., Wuri Dist., Taichung City, Taiwan

TEL : +886-4-23367239

E-mail: petseals@petseals.com

FAX : +886-4-23366057

www.petseals.com



ISO 9001:2015



Diaphragm for Pressure Regulating Valves



PETSEAL NO.	DESCRIPTION
E-SV-01228	32.5*17*2.9
E-SV-01427	42*20*2.9
E-SV-01429	36.5*20*2.9
E-SV-01839	53*27*3.9



Air Conditioning Unit



PETSEALS INDUSTRIES LTD.

No.9, Ln. 229, Sec. 1, Zhongshan Rd., Wuri Dist., Taichung City, Taiwan

TEL : +886-4-23367239




E-mail: petseals@petseals.com

FAX : +886-4-23366057

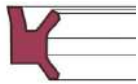








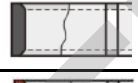








www.petseals.com

ISO 9001:2015

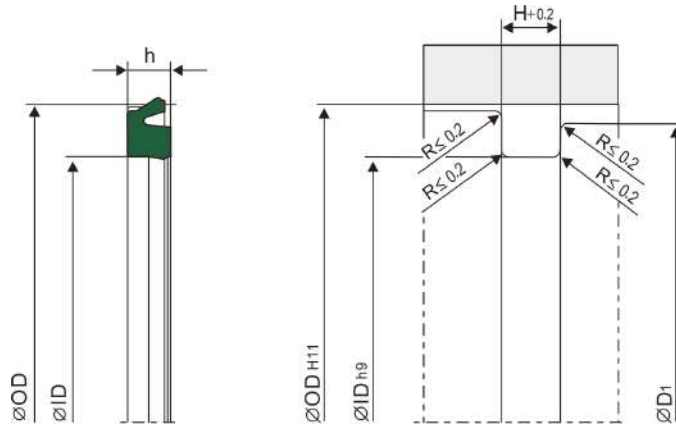
PNEUMATIC SEALS INDEX

ITEM	PROFILE	TYPE	MATERIAL	TEMPERATURE	PRESSURE (kgf/cm ²)	SPEED (m/s)	PAGE
PISTON		NZ8	PU	-35°C ~ 80°C	16	1	1
		NZ8	NBR	-30°C ~ 80°C	16	1	2
			FKM	-15°C ~ 150°C	16	1	
		NPZ	NBR	-20°C ~ 80°C	12	1	3
		NPP	NBR	-20°C ~ 80°C	10	1	4
		NGP	NBR	-20°C ~ 80°C	10	1	5
			FKM	-5°C ~ 150°C	10	1	
		NE4	NBR	-20°C ~ 80°C	16	1	6
		TPD	NBR	-20°C ~ 80°C	10	1	7
		APM					7
	NPA	FKM					-15°C ~ 150°C
	DXP	NBR	-40°C~90°C	10		9	
ROD SEAL		NR5	PU	-35°C ~ 80°C	16	1	10
		APN	NBR	-25°C ~ 80°C	10	1	10
		AYR	NBR	-30°C ~ 80°C	8	0.5	11
		PS	PU	-35°C~80°C	160	1	12
NBR			-35°C~120°C	200	1		
PISTON/ROD SEAL		NYA	NBR	-25°C ~ 70°C	8	0.4	13
		FKM	-5°C ~ 150°C				
		APY	NBR	-25°C ~ 70°C	10	1	14
WIPER SEAL		DER	NBR	-25°C ~ 100°C	-	0.5	15
		LBU	PU	-35°C~100°C	-	1	16
ROD/WIPER SEAL		NEU	PU	-35°C ~ 80°C	16	1	17
		NEM	NBR	-30°C ~ 80°C	16	1	18
FKM			-25°C ~ 200°C	16	1		

PNEUMATIC SEALS INDEX

ITEM	PROFILE	TYPE	MATERIAL	TEMPERATURE	PRESSURE (kgf/cm ²)	SPEED (m/s)	PAGE
ROD/WIPER SEAL		NEM	PU	-35°C ~ 80°C	16	1	18
		PDR	NBR	-20°C ~ 80°C	10	1	19
		NDU	NBR	-20°C ~ 80°C	10	1	19
			FKM	-15°C ~ 160°C	10	1	
		MBH	NBR+STEEL	-35°C ~ 80°C	16	1	20
	PE8	NBR+HY	-20°C ~ 80°C	16	1	20	
CUSHION		NTP	PU	-35°C ~ 80°C	16	1	21
			NBR	-25°C ~ 90°C			22
		NTU	PU	-35°C ~ 80°C			23
			NBR	-25°C ~ 90°C			23
		NVB	NBR+STEEL	-20°C ~ 80°C			10
WEAR RING		WRFP	PTFE	-55°C ~ 200°C	16	3	25
		WROM	POM	-40°C ~ 100°C	16	1	26-27
QUICK EXHAUST VALVES SEALS		A-UCAP	PU	-20~70°C	1~10 kg/cm ²		28
			FKM	-20~120°C			
SOLENOID VALVE SEAL		AYP	NBR	-25°C ~ 70°C	8	0.4	28
		I-RING	NBR	-25°C ~ 70°C	10	1	29
		NSP					29
		I-RING					30
		J-RING					30
		NPR					31

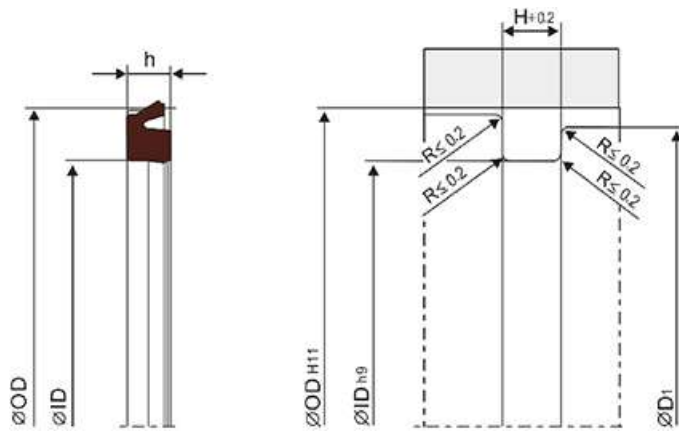
NZ8 PISTON SEAL



APPLICATION	
MATERIAL	TPU
TEMP.	-35°C~80°C
PRESSURE	16kgf/cm ²
SPEED	1m/s

ITEM	OD	ID	h	H	D1
NZ8-008	8	4.8	2.55	3.0	7.6
NZ8-010	10	6	2.55	3.0	9.6
NZ8-012	12	7	2.55	3.0	11.6
NZ8-016	16	10	2.55	3.0	15.6
NZ8-020	20	14	2.55	3.0	19.6
NZ8-025	25	19	3.25	3.5	24.4
NZ8-032	32	24	3.25	3.5	31.4
NZ8-040	40	32	3.25	3.5	39.4
NZ8-050	50	42	3.25	3.5	49.4
NZ8-063	63	53	4.25	4.5	62.4
NZ8-080	80	70	4.25	4.5	79.4
NZ8-100	100	90	4.25	4.5	99.4

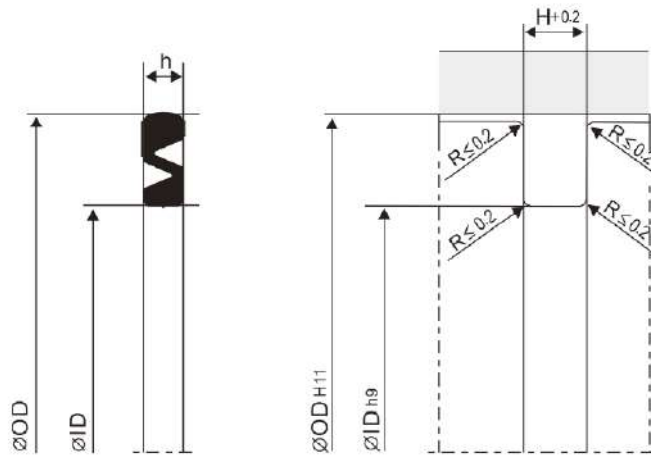
NZ8 PISTON SEAL



APPLICATION		
MATERIAL	NBR	FKM
TEMP.	-30°C~80°C	-15°C~150°C
PRESSURE	16kgf/cm ²	16kgf/cm ²
SPEED	1m/s	1m/s

ITEM	OD	ID	h	H	D1
NZ8-010	10	6	2.55	3.0	9.6
NZ8-012	12	7	2.55	3.0	11.6
NZ8-014	14	8	2.55	3.0	13.6
NZ8-016	16	10	2.55	3.0	15.6
NZ8-018	18	12	2.55	3.0	17.6
NZ8-020	20	14	2.55	3.0	19.6
NZ8-022	22	16	2.55	3.0	21.4
NZ8-025	25	19	3.25	3.5	24.4
NZ8-032	32	24	3.25	3.5	31.4
NZ8-035	35	27	3.25	3.5	34.4
NZ8-038	38	30	3.25	3.5	37.4
NZ8-040	40	32	3.25	3.5	39.4
NZ8-050	50	42	3.25	3.5	49.4
NZ8-063	63	53	4.25	4.5	62.4
NZ8-070	70	60	4.25	4.5	69.4
NZ8-080	80	70	4.25	4.5	79.4
NZ8-100	100	90	4.25	4.5	99.4
NZ8-125	125	105	8.25	8.5	123.8
NZ8-160	160	140	8.25	8.5	158.8
NZ8-200	200	180	8.25	8.5	198.8

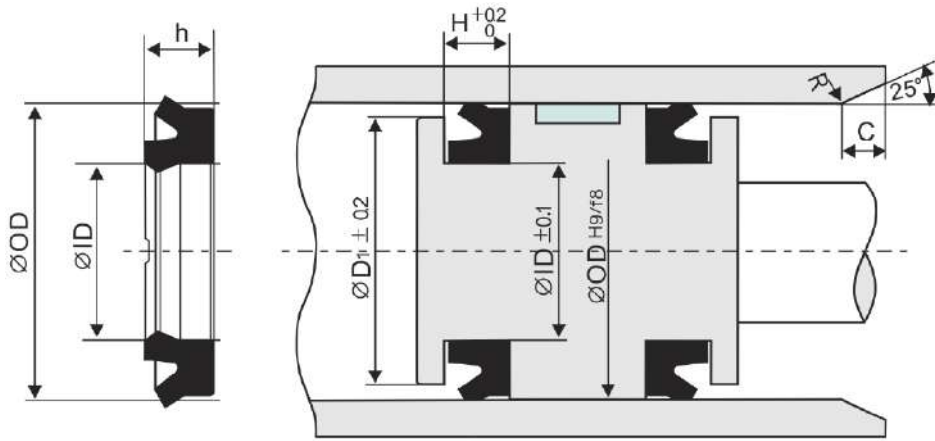
NPZ PISTON SEAL



APPLICATION	
MATERIAL	NBR
TEMP.	-20°C~80°C
PRESSURE	12kgf/cm ²
SPEED	1m/s

ITEM	OD	ID	h	D1	H
* NPZ-012	12	7	2	11.6	2.5
* NPZ-016	16	9	2.1	15.6	2.5
NPZ-020	20	13	2.1	19.6	2.5
NPZ-025	25	18	2.1	24.6	2.5
* NPZ-028	28	19	2.5	27.6	3
* NPZ-030	30	21	2.5	29.6	3
NPZ-032	32	23	2.5	31.6	3
NPZ-040	40	31	2.5	39.5	3
NPZ-050	50	41	2.5	49.5	3
NPZ-063	63	51	3.4	62.5	4
NPZ-080	80	68	3.4	79.5	4
NPZ-100	100	88	3.4	99.4	4

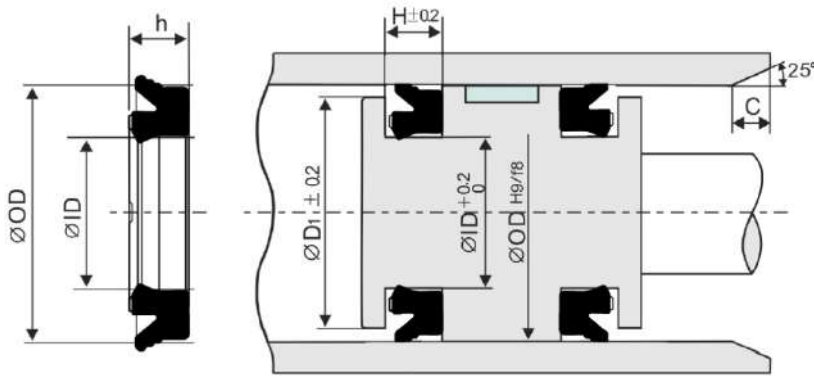
NPP PISTON SEAL



APPLICATION	
MATERIAL	NBR
TEMP.	-20°C~80°C
PRESSURE	10kgf/cm ²
SPEED	1m/s

ITEM	OD	ID	h	D1	H	C
NPP-004	4	1.2	2			
NPP-005	5	2	2			
NPP-006	6	3	2.2	5.5	2.6	2.5
NPP-008	8	4	2.9	7.5	3.3	2.5
* NPP-010	10	6	2.9	9.5	3.3	2.5
NPP-010*7	10	7	2			
NPP-012	12	8	2.9	11.5	3.3	2.5
NPP-015	15	10	3.6	14	4	2.5
NPP-016	16	11	3.6	15	4	2.5
NPP-020	20	14	4.3	19	4.7	3
NPP-025	25	17	5.3	24	5.7	3
NPP-030	30	22	5.3			
NPP-032	32	24	5.3	31	5.7	3
* NPP-040	40	30	6.5	39	7	3

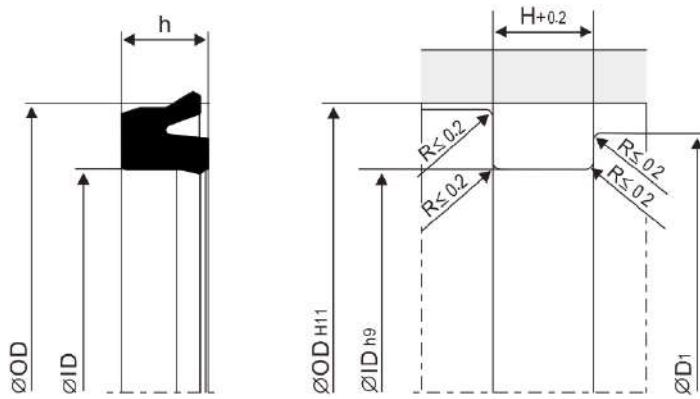
NGP PISTON SEAL



APPLICATION		
MATERIAL	NBR	FKM
TEMP.	-20°C~80°C	-5°C~150°C
PRESSURE	10kgf/cm ²	10kgf/cm ²
SPEED	1m/s	1m/s

ITEM	OD	ID	h	D ₁	H	C
NGP-032	32	24	5.2	31	5.7	3
NGP-040	40	30	6.5	39	7	3
* NGP-045	45	35	6.5	44	7	3
NGP-050	50	40	6.5	49	7	3
NGP-063	63	53	6.5	62	7	3
NGP-080	80	70	6.5	79	7	3
NGP-100	100	90	6.5	99	7	3
NGP-125	125	115	6.5			
NGP-100	100	85	9.5	98.5	10	4
NGP-120	120	105	9.5	118.5	10	4
NGP-125	125	110	9.5	123.5	10	4
NGP-140	140	125	9.5	138.5	10	4
NGP-150	150	135	9.5	148.5	10	4
NGP-160	160	145	9.5	158.5	10	4
NGP-180	180	165	9.5	178.5	10	4
NGP-200	200	180	12	198	13	5
NGP-250	250	230	12	248	13	5
NGP-300	300	280	14	298	15	5
NGP-320	320	295	14	312.5	15	5

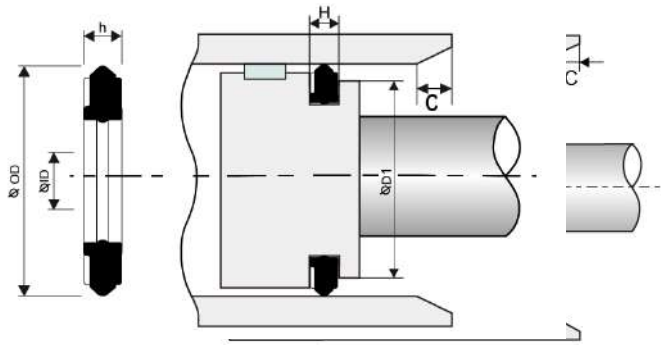
NE4 PISTON SEAL



APPLICATION	
MATERIAL	NBR
TEMP.	-20°C~80°C
PRESSURE	16kgf/cm ²
SPEED	1m/s

ITEM	OD	ID	h	D1	H
* NE4-016	16	10	4	15	4.5
* NE4-020	20	14	4	19	4.5
* NE4-025	25	17	5.5	24	6
* NE4-032	32	24	5.5	31	6
* NE4-040	40	30	7	38.5	7.5
* NE4-050	50	40	7	48.5	7.5
* NE4-063	63	53	7	61.5	7.5
* NE4-080	80	68	8.5	78	9.5
* NE4-100	100	88	8.5	98	9.5
* NE4-125	125	110	10	122.5	11
* NE4-150	150	135	10	147.5	11
* NE4-160	160	140	14	155	15
* NE4-200	200	180	14	195	15

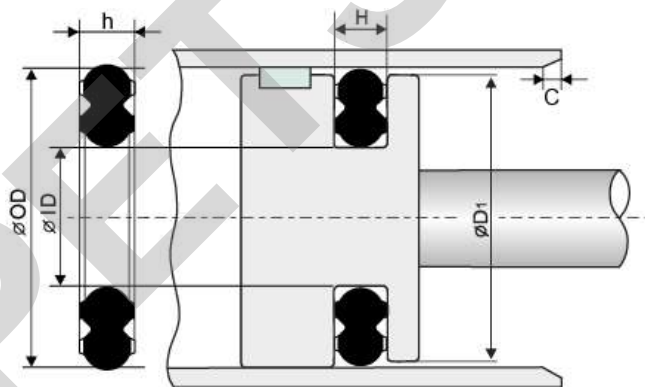
TPD PISTON SEAL



APPLICATION	
MATERIAL	NBR
TEMP.	-20°C~80°C
PRESSURE	10kgf/cm ²
SPEED	1m/s

ITEM	OD	ID	h	H	D ₁	C
TPD 012	12	7.4	1.6	1.8	11.7	1.5
TPD 016	16	11.4	1.6	1.8	15.7	1.5
TPD 020	20	14	2.2	2.4	19.5	1.5
TPD-025	25	17	3.0	3.2	24.5	2.0
TPD 032	32	24	3.0	3.2	31.5	2.0
TPD 040	40	32	3.0	3.2	39.5	2.0
TPD 050	50	40	3.7	4.0	49.5	2.5
TPD 063	63	53	3.7	4.0	62.4	2.5
TPD 080	80	65	5.6	6.0	79.4	3.0
TPD 100	100	85	5.6	6.0	99.4	3.0

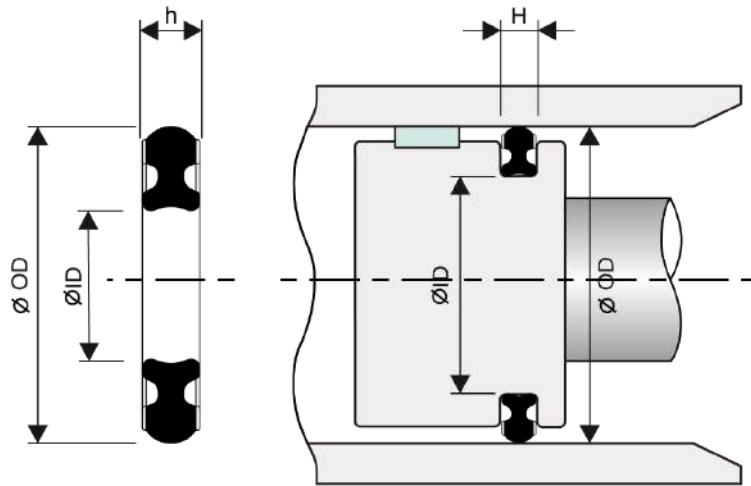
APM PISTON SEAL



APPLICATION	
MATERIAL	NBR
TEMP.	-20~80°C
PRESSURE	10 kgf/cm ²
SPEED	1 m/s

ITEM	OD	ID	h	H	D ₁	C
APM 012	12	7.4	1.6	1.8	11.7	1
APM 016	16	11.4	1.6	1.8	15.7	1
APM 020	20	14	2.24	2.4	19.5	1.5
APM 025	25	17	3	3.2	24.5	2
APM 030	30	22	3	3.2	29.5	2
APM 125	125	110	5.6	6	124.3	3.5

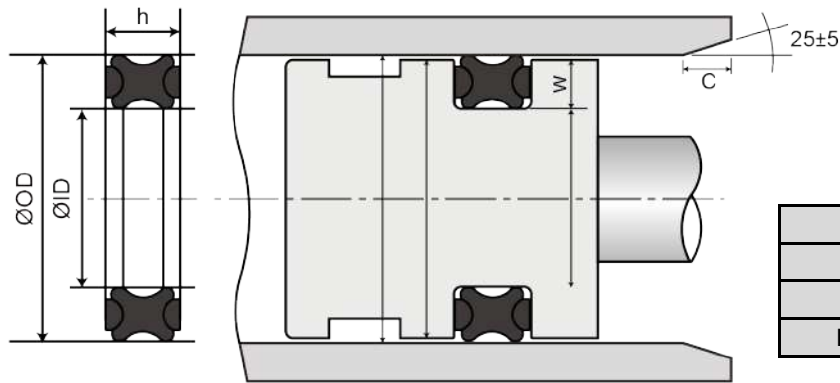
NPA PISTON SEAL



APPLICATION		
MATERIAL	NBR	FKM
TEMP.	-20°C~80°C	-15°C~150°C
PRESSURE	10kgf/cm ²	10kgf/cm ²
SPEED	1m/s	1m/s

ITEM	OD	ID	h	D ₁	H	C
NPA-010	10	5.4	1.7	9.7	1.8	1
NPA-012	12	7.4	1.7	11.7	1.8	1
NPA-015	15	10.4	1.7	14.7	1.8	1
NPA-016	16	11.4	1.7	15.7	1.8	1
NPA-020	20	14	2.2	19.5	2.4	1.5
NPA-025	25	17	3	24.5	3.2	2
* NPA-030	30	22	3	29.5	3.2	2
NPA-032	32	24	3	31.5	3.2	2
NPA-040	40	32	3	39.5	3.2	2
NPA-050	50	40	3.8	49.5	4	2.5
NPA-063	63	53	3.8	62.4	4	2.5
NPA-080	80	65	5.7	79.4	6	3
NPA-100	100	85	5.7	99.4	6	3
NPA-125	125	110	5.7	124.3	6	3.5
NPA-140	140	125	5.7	139.3	6	3.5
NPA-150	150	135	5.7	149.3	6	3.5
NPA-160	160	140	7.7	159.3	8	5
NPA-180	180	160	7.7	179.3	8	5
NPA-200	200	180	7.7	199	8	5
NPA-250	250	230	7.7	249	8	5
NPA-300	300	280	7.7	299	8	5

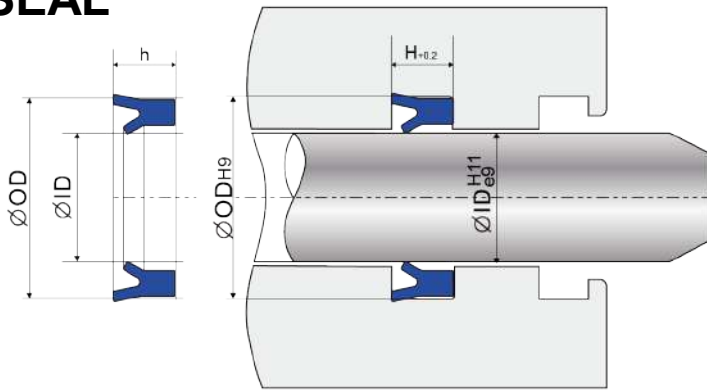
DXP WIPER SEAL



APPLICATION	
MATERIAL	NBR
TEMP.	-40°C~90°C
PRESSURE	10kgf/cm ²

ITEM	ID	OD	h
* DXP-14	14	20	5.0
* DXP-19	19	25	5.0
* DXP-24	24	30	5.0
* DXP-26	26	32	5.0
* DXP-32	32	40	5.0
* DXP-42	42	50	5.0
* DXP-53	53	63	7.0
DXP-70	70	80	7.0
* DXP-90	90	100	7.0
* DXP-110	110	125	10.0
* DXP-135	135	150	10.0
* DXP-145	145	160	10.0
* DXP-165	165	180	10.0
* DXP-185	185	200	10.0
* DXP-235	235	250	10.0
* DXP-285	285	300	10.0
* DXP-305	305	320	10.0

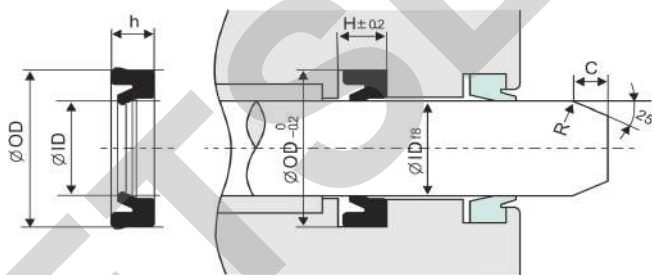
NR5 ROD SEAL



APPLICATION	
MATERIAL	PU
TEMP.	-35°C~80°C
PRESSURE	16kgf/cm ²
SPEED	1m/s

ITEM	ID	OD	h	H
NR5-006	6	12	7.3	7.8
NR5-008	8	15	7.3	7.8
NR5-010	10	16	7.3	7.8
NR5-012	12	18	7.3	7.8
NR5-014	14	20	7.3	7.8
NR5-016	16	22	7.3	7.8
NR5-020	20	28	8.3	8.8

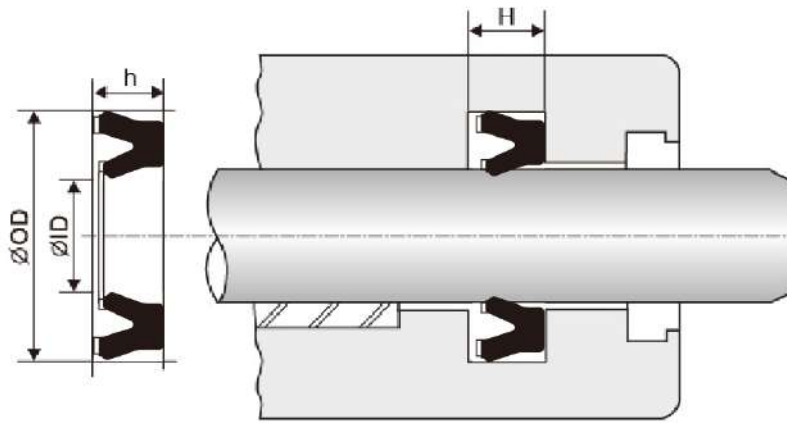
APN ROD SEAL



APPLICATION	
MATERIAL	NBR
TEMP.	-25°C~80°C
PRESSURE	10kgf/cm ²
SPEED	1m/s

ITEM	ID	OD	h	H	C
* APN-016	16	24	5.2	5.7	1.5
* APN-020	20	28	5.2	5.7	1.5
* APN-025	25	33	5.2	5.7	1.5
* APN-030	30	40	6.5	7	3
* APN-032	32	42	6.5	7	3
* APN-035	35	45	6.5	7	3
* APN-040	40	50	6.5	7	3
* APN-045	45	55	6.5	7	3

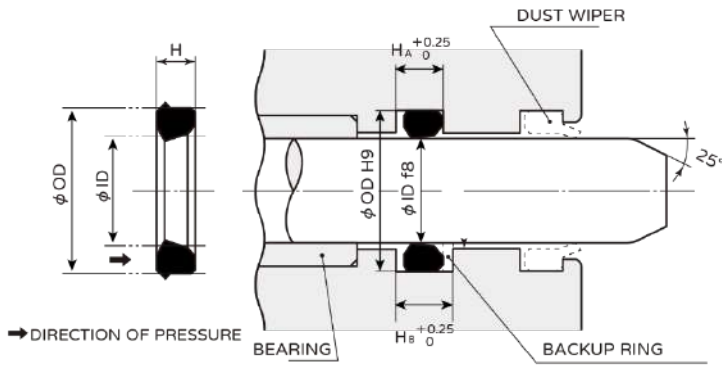
AYR ROD SEAL



APPLICATION	
MATERIAL	NBR
TEMP.	-15°C~60°C
PRESSURE	10kgf/cm ²
SPEED	0.5m/s

ITEM	ID	OD	h	H
AYR-06	6	9	2.0	2.5
AYR-08	8	11	2.0	2.5
AYR-10	10	13	2.0	2.5
* AYR-03	3	6	2.1	2.5
AYR-04	4	7	2.1	2.5
AYR-05	5	8	2.1	2.5
* AYR-10A	10	14	2.7	3.2
AYR-12	12	16	2.7	3.2
* AYR-14	14	18	2.7	3.2
* AYR-15	15	19	2.7	3.2
AYR-16	16	20	2.7	3.2
AYR-20	20	24	2.8	3.2

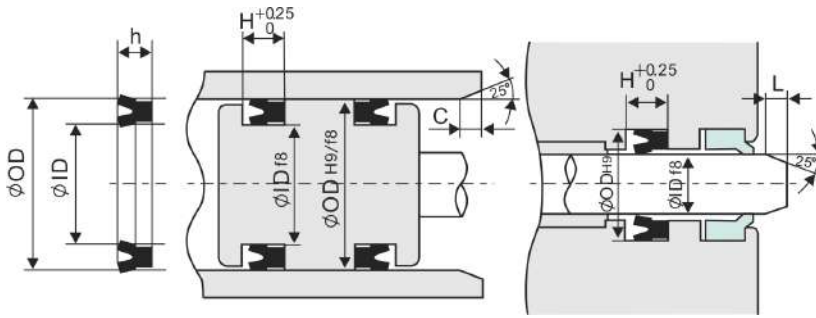
PS RODPACKING



APPLICATION		
MATERIAL	PU	NBR
TEMP.	-35°C~80°C	-35°C~120°C
PRESSURE	160kgf/cm ²	200kgf/cm ²
SPEED	1m/s	1m/s

ITEM	ID	OD	h	HA	HB
PS-005	5	8	2	2.5	3.9
PS-006	6	9	2	2.5	3.9
* PS-008	8	11	2	2.5	3.9
PS-010	10	13	2	2.5	3.9
* PS-010A	10	14	2.9	3.2	4.4
* PS-011.2	11.2	15.2	2.9	3.2	4.4
PS-012	12	16	2.9	3.2	4.4
* PS-014	14	18	2.9	3.2	4.4
* PS-015	15	19	2.9	3.2	4.4
* PS-016	16	20	2.9	3.2	4.4
* PS-018	18	22	2.9	3.2	4.4
PS-020	20	24	2.9	3.2	4.4
* PS-022	22	26	2.9	3.2	4.4
* PS-022.4	22.4	28.4	4.3	4.7	6
* PS-028	28	34	4.3	4.7	6
* PS-030	30	36	4.3	4.7	6
* PS-031.5	31.5	37.5	4.3	4.7	6
* PS-035	35	41	4.3	4.7	6
* PS-040	40	46	4.3	4.7	6
* PS-042	42	48	4.3	4.7	6
* PS-045	45	51	4.3	4.7	6
* PS-050	50	56	4.3	4.7	6
* PS-050A	50	60	6.9	7.5	9

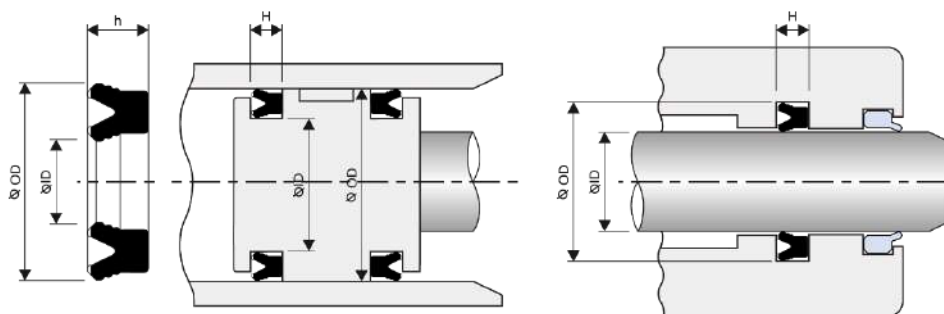
NYA PISTON & ROD SEAL



APPLICATION		
MATERIAL	NBR	FKM
TEMP.	-25°C~70°C	-5°C~150°C
PRESSURE	8kgf/cm ²	
SPEED	0.4m/s	

ITEM	ID	OD	h	H	C	L
NYA-003	3	6	2.1	2.5	2	1.5
NYA-004	4	7	2.1	2.5	2	1.5
NYA-005	5	8	2.1	2.5	2	1.5
NYA-006	6	9	2.1	2.5	2	1.5
NYA-007	7	10	2.1	2.5	2	1.5
NYA-008	8	11	2.1	2.5	2	1.5
NYA-009	9	12	2.1	2.5	2	1.5
NYA-010	10	13	2.1	2.5	2	1.5
NYA-010A	10	14	2.8	3.2	2.5	2
NYA-011	11	15	2.8	3.2	2.5	2
NYA-012	12	16	2.8	3.2	2.5	2
NYA-013.6	13.6	18	2.8	3.2	2.5	2
NYA-014	14	18	2.8	3.2	2.5	2
NYA-015	15	19	2.8	3.2	2.5	2
NYA-016	16	20	2.8	3.2	2.5	2
NYA-018	18	22	2.8	3.2	2.5	2
NYA-020	20	24	2.8	3.2	2.5	2
NYA-021	21	25	2.8	3.2	2.5	2
NYA-022	22	26	2.8	3.2	2.5	2
NYA-024	24	30	4.2	4.7	3	3
NYA-034	34	40	4.2	4.7	3	3

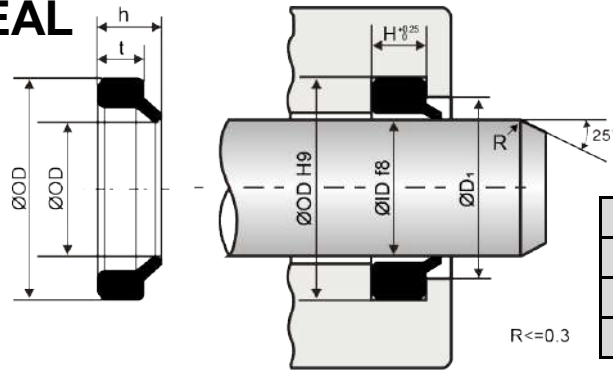
APY PISTON & ROD SEAL



APPLICATION	
MATERIAL	NBR
TEMP.	-25 °C~70°C
PRESSURE	10 kgf/cm ²
SPEED	1 m/s

ITEM	ID	OD	h	H
* APY- 10	10	18	5.2	5.7
APY- 12	12	20	5.2	5.7
APY- 14	14	22	5.2	5.7
APY- 16	16	24	5.2	5.7
* APY- 18	18	26	5.2	5.7
APY- 20	20	28	5.2	5.7
* APY- 22.4	22.4	30	5.2	5.7
APY- 25	25	33	5.2	5.7
* APY- 28	28	36	5.2	5.7
APY- 40	40	50	6	7
APY- 60	60	70	6	7
APY- 30	30	40	6.5	7
* APY- 31.5	31.5	41.5	6.5	7
* APY- 32	32	42	6.5	7
APY- 35	35	45	6.5	7
* APY- 35.5	35.5	45.5	6.5	7
* APY- 36	36	46	6.5	7
* APY- 45	45	55	6.5	7
* APY- 50	50	60	6.5	7
* APY- 53	53	63	6.5	7
* APY- 55	55	65	6.5	7
* APY- 63	63	73	6.5	7
* APY- 65	65	75	6.5	7
* APY- 70	70	80	6.5	7
* APY- 75	75	85	6.5	7
* APY- 80	80	90	6.5	7
APY- 105	105	120	9	10
APY- 135	135	150	9	10
* APY- 85	85	100	9.5	10
* APY- 95	95	110	9.5	10
* APY- 100	100	115	9.5	10
* APY- 110	110	125	9.5	10
* APY- 125	125	140	9.5	10

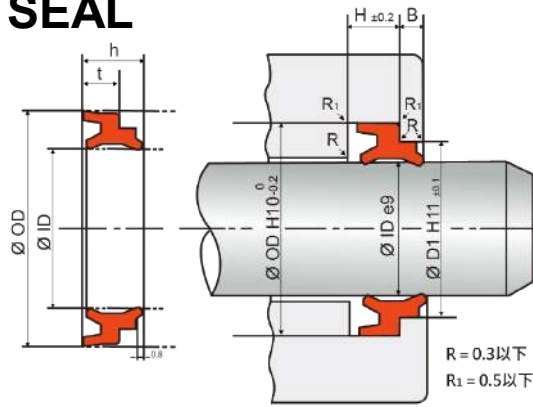
DER WIPER SEAL



APPLICATION	
MATERIAL	NBR
TEMP.	-25°C~100°C
SPEED	0.5 m/s

ITEM	ID	OD	t	h	H
DER-003	3	6	2	2.75	2.5
DER-004	4	7	2	2.75	2.5
DER-005	5	8	2	2.75	2.5
DER-006	6	9	2	2.75	2.5
DER-008	8	11	2	2.75	2.5
DER-010	10	13	2	2.75	2.5
DER-010A	10	14	2.9	3.9	3.2
DER-012	12	16	2.9	3.9	3.2
DER-014	14	18	2.9	3.9	3.2
DER-016	16	20	2.9	3.9	3.2
DER-018	18	22	2.9	3.9	3.2
DER-020	20	24	2.9	3.9	3.2
DER-022	22	26	2.9	3.9	3.2
DER-025	25	31	4.3	5.8	4.7
DER-030	30	36	4.3	5.8	4.7
DER-032	32	38	4.3	5.8	4.7
* DER-034	34	40	4.3	5.8	4.7
DER-035	35	41	4.3	5.8	4.7
* DER-035.5	35.5	41.5	4.3	5.8	4.7
DER-036	36	42	4.3	5.8	4.7
* DER-038	38	44	4.3	5.8	4.7
DER-040	40	46	4.3	5.8	4.7
* DER-042	42	48	4.3	5.8	4.7
DER-045	45	51	4.3	5.8	4.7
* DER-046	46	52	4.3	5.8	4.7
* DER-048	48	54	4.3	5.8	4.7
* DER-050	50	56	4.3	5.8	4.7
DER-060	60	70	6.9	9.4	7.5
DER-075	75	85	6.9	9.4	7.5

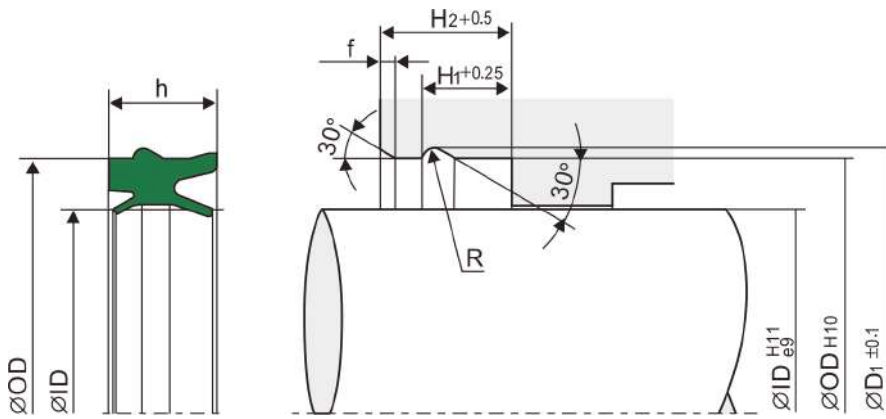
LBU WIPER SEAL



APPLICATION	
MATERIAL	PU
TEMP.	-35°C~100°C
SPEED	1 m/s

ITEM	ID	OD	h
* LBU-010	10	16	2.6
* LBU-012	12	18	2.6
* LBU-014	14	20	2.6
LBU-012	12	16	3.5
* LBU-016	16	24	4
* LBU-020	20	28	4
* LBU-025	25	33	4
LBU-014	14	22	4.5
LBU-016	16	24	4.5
LBU-018	18	26	4.5
LBU-018	18	26	4.5
LBU-020	20	28	4.5
LBU-020	20	28	4.5
LBU-022.4	22.4	30.4	4.5
LBU-022	22.4	30.4	4.5
LBU-025	25	33	4.5
LBU-028	28	36	4.5
* LBU-028	28	36	4.5
LBU-028	28	36	4.5
LBU-030	30	38	5
LBU-035	35	43	5
LBU-035.5	35.5	43.5	5
LBU-035	35.5	43.5	5
LBU-035	35.5	43.5	5
LBU-040	40	48	5
LBU-045	45	53	5
LBU-056	56	64	5

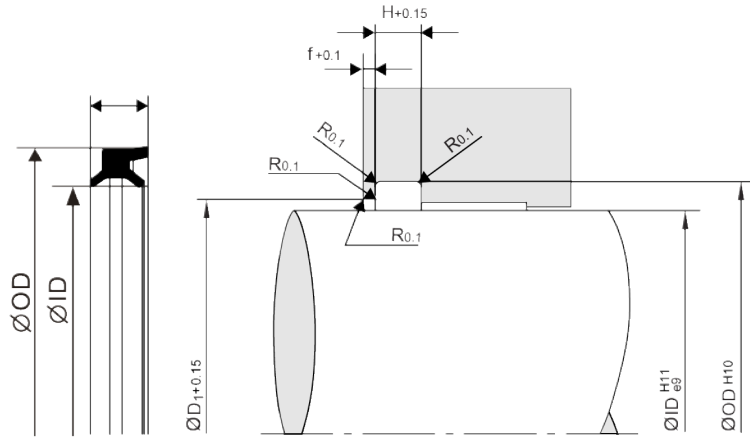
NEU ROD & WIPER SEAL



APPLICATION	
MATERIAL	PU
TEMP.	-35°C~80°C
PRESSURE	16kgf/cm ²
SPEED	1m/s

ITEM	ID	OD	h	D1	H1	H2	R	f
NEU-012	12	19	10	21	7.7	12	1	1.5
NEU-012	12	20	10.7	22	8.8	13	1.1	1.5
NEU-012	12	22	10.7	24	8.8	13	1.1	1.5
NEU-016	16	26	10.7	28	8.8	13	1.1	1.5
NEU-020	20	30	10.7	32	8.8	13	1.1	1.5
NEU-025	25	35	11.2	37.5	9.4	14	1.4	2
NEU-030	30	40	11.2	42.5	9.4	14	1.4	2
NEU-032	32	42	11.2	44.5	9.4	14	1.4	2
NEU-040	40	50	11.2	52.5	9.4	14	1.4	2
NEU-050	50	60	12.2	63.2	10.4	15	1.8	2

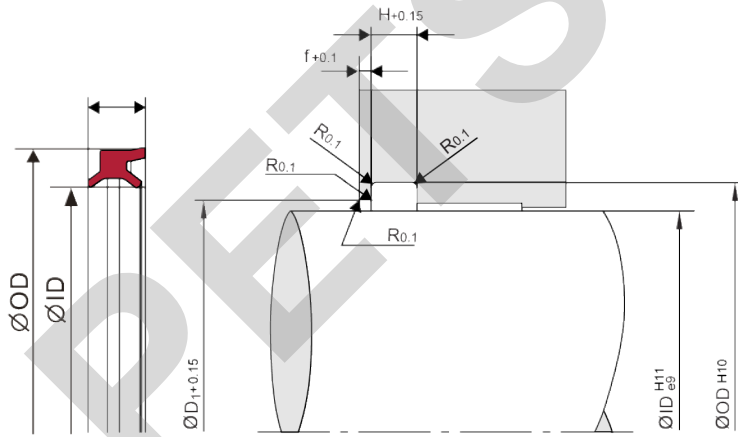
NEM ROD & WIPER SEAL



APPLICATION		
MATERIAL	NBR	FKM
TEMP.	-35°C~80°C	-25°C~200°C
PRESSURE	16kgf/cm ²	16kgf/cm ²
SPEED	1m/s	1m/s

ITEM	ID	OD	h	D ₁	H	f
NEM-004	4	7	2.7	5.6	2.8	0.8
NEM-006	6	9	2.7	8.1	2.8	1
NEM-008	8	11.5	3	10.1	3.2	1
NEM-010	10	14	3.4	12.1	3.7	1
NEM-012	12	16.5	3.7	14.1	4	1.2
NEM-016	16	20.5	3.7	18.1	4	1.2
NEM-020	20	25	4.15	23.1	4.6	1.2
NEM-025	25	30	4.15	26.9	4.6	1.2

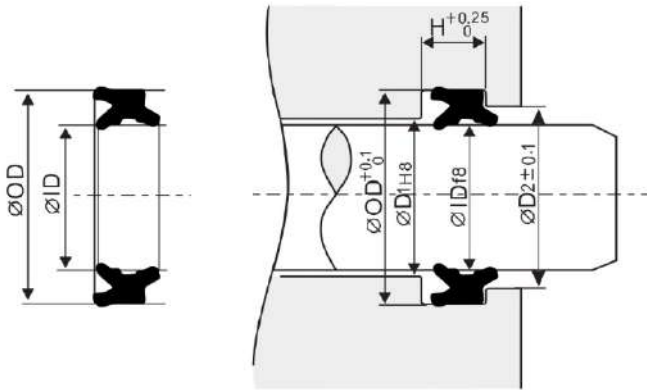
NEM ROD & WIPER SEAL



APPLICATION	
MATERIAL	PU
TEMP.	-30°C~80°C
PRESSURE	16kgf/cm ²
SPEED	1m/s

ITEM	ID	OD	h	D ₁	H	f
NEM-004	4	7	2.7	5.6	2.8	0.8
NEM-006	6	9	2.7	8.1	2.8	1
NEM-008	8	11.5	3	10.1	3.2	1
NEM-010	10	14	3.4	12.1	3.7	1
NEM-012	12	16.5	3.7	14.1	4	1.2
NEM-016	16	20.5	3.7	18.1	4	1.2
NEM-020	20	25	4.15	23.1	4.6	1.2
NEM-025	25	30	4.15	26.9	4.6	1.2

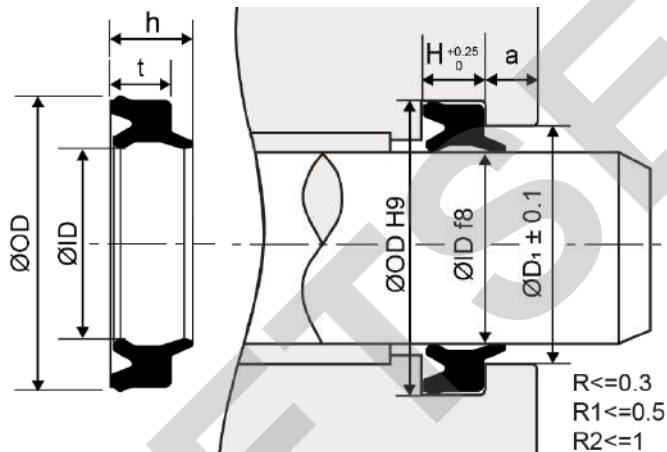
PDR ROD & WIPER SEAL



APPLICATION	
MATERIAL	NBR
TEMP.	-20°C~80°C
PRESSURE	10kgf/cm ²
SPEED	1m/s

ITEM	ID	OD	H	D ₁	D ₂
PDR-016	16	24	6	16	19.4
PDR-020	20	28	6	20	23.4
PDR-025	25	33	6	25	28.4
PDR-030	30	40	7	30	34
PDR-035	35	45	7	35	39

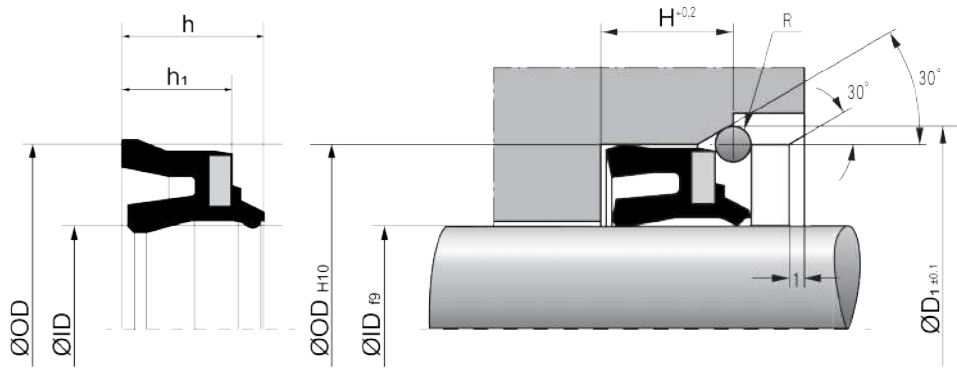
NDU ROD & WIPER SEAL



APPLICATION		
MATERIAL	NBR	FKM
TEMP.	-20°C~80°C	-15°C~160°C
PRESSURE	10kgf/cm ²	10kgf/cm ²
SPEED	1m/s	1m/s

ITEM	ID	OD	t	h	H	a
NDU-006	6	10	3	4.4	3.5	2
NDU-008	8	12	3.5	4.9	4	2
NDU-010	10	14	3.5	4.9	4	2
NDU-012	12	16	3.5	4.9	4	2
NDU-014	14	18	3.5	4.9	4	2
NDU-016	16	24	5.5	7.5	6	2
NDU-020	20	28	5.5	7.5	6	2
NDU-025	25	33	5.5	7.5	6	2
NDU-030	30	40	6.5	8.5	7	2
NDU-032	32	42	6.5	8.5	7	2
NDU-035	35	45	6.5	8.5	7	2
NDU-040	40	50	6.5	8.5	7	2
NDU-045	45	55	6.5	8.5	7	2
NDU-050	50	60	6.5	8.5	7	2

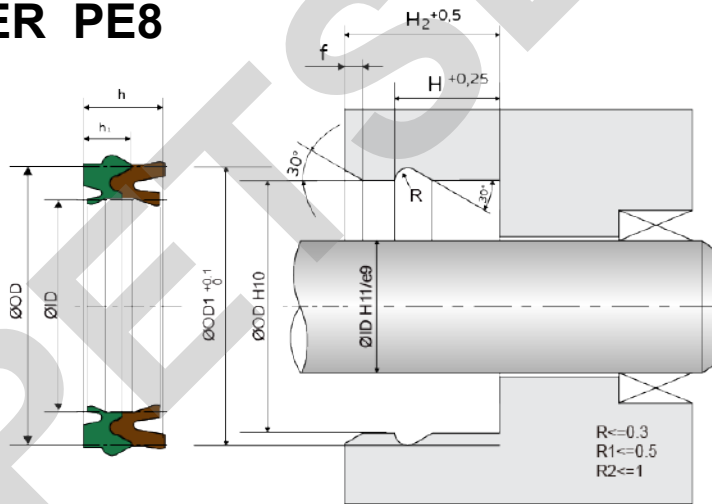
MBH ROD & WIPER SEAL



APPLICATION	
MATERIAL	NBR+STEEL
TEMP.	-35°C~80°C
PRESSURE	16kgf/cm ²
SPEED	1 m/s

ITEM	ID	OD	h	h1	D1	H	R
* MBH-012	12	20	8.5	6	22	7.5	1.1
MBH-018	18	26	8.5	6	28	7.5	1.1
MBH-012	12	22	9.5	7	24	8.5	1.1
* MBH-014	14	24	9.5	7	26	8.5	1.1
MBH-016	16	26	9.5	7	28	8.5	1.1
MBH-020	20	30	9.5	7	32	8.5	1.1
MBH-022	22	32	9.5	7	34.5	8.8	1.4
MBH-025	25	35	9.5	7	37.5	8.8	1.4
MBH-030	30	40	9.5	7	42.5	8.8	1.4
MBH-032	32	42	9.5	7	44.5	8.8	1.4
MBH-040	40	50	9.5	7	52.5	8.8	1.4

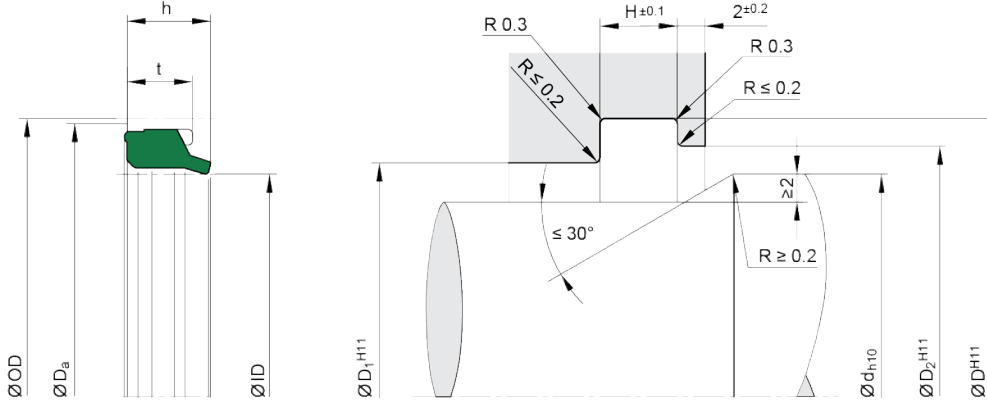
ROD&WIPER PE8



APPLICATION	
MATERIAL	NBR+HY
TEMP.	-20°C~80°C
PRESSURE	16kgf/cm ²
SPEED	1 m/s

ITEM	ID	OD	h
PE8-12	12	22	11
PE8-16	16	26	11
PE8-20	20	30	11
PE8-25	25	35	11.5
PE8-32	32	42	11.5
PE8-40	40	50	11.5
PE8-50	50	60	12.5
PE8-63	63	75	13

NTP CUSHION SEAL

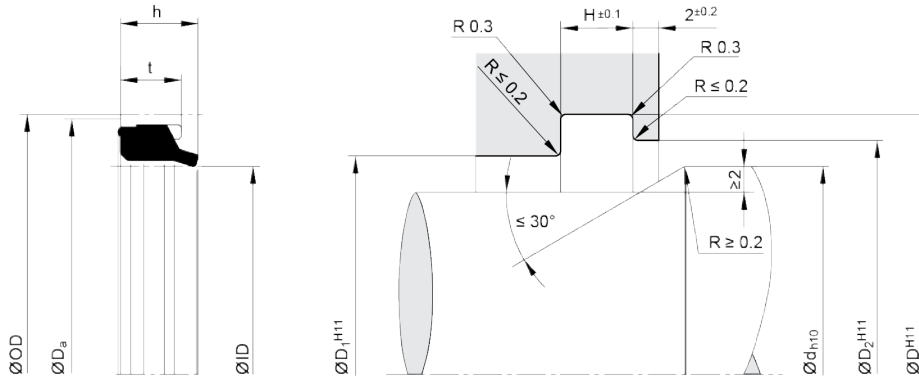


APPLICATION	
MATERIAL	PU
TEMP.	-35°C~80°C
PRESSURE	16kgf/cm ²
SPEED	1m/s

PP type

ITEM	ID	OD	h	t	D1	D2	H
* NTP-008	8	11.6	3.5	2.8	8.5	10	3.3
NTP-020	20	25.5	3.5				
NTP-025A	25	31.5	4				
* NTP-005	5	9	4.1	3.2	5.5	7	3.7
* NTP-006	6	10	4.1	3.2	6.5	8	3.7
* NTP-09.5	9.5	15	4.6	3.7	10	12	4.5
* NTP-012	12	18	5	4.1	13	15.5	4.8
NTP-030	30	38	5				
NTP-016	16	22	5.5	4.5	17	19.5	5.2
NTP-035	35	44	6				
* NTP-010	10	18	7.8	6.3	10.5	15	7
* NTP-012A	12	20	7.8	6.3	13	17	7
* NTP-014	14	22	7.8	6.3	15	19	7
NTP-016A	16	24	7.8	6.3	17	21	7
* NTP-018	18	26	7.8	6.3	19	23	7
NTP-020	20	28	7.8	6.3	21	24	7
* NTP-022	22	30	7.8	6.3	23	26	7
NTP-025	25	33	7.8	6.3	26	29	7
* NTP-028	28	36	7.8	6.3	29	32	7
NTP-030	30	40	7.8	6.2	31.5	35	7
* NTP-032	32	42	7.8	6.2	33.5	37	7
NTP-035	35	45	7.8	6.2			
NTP-036	36	46	7.8	6.2	37.5	41	7
NTP-040	40	50	7.8	6.2	41.5	45	7
NTP-050	50	60	7.8	6.2	51.5	55	7
* NTP-050A	50	67	11	11	53	58	12.5
* NTP-057	57	74	11	11	60	65	12.5
* NTP-070	70	87	11	11	73	78	12.5
* NTP-078	78	95	11	11	81	86	12.5

NTP CUSHION SEAL

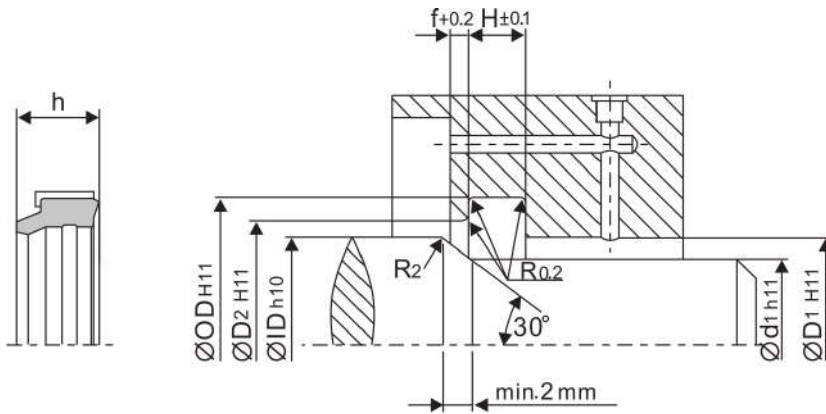


APPLICATION	
MATERIAL	NBR
TEMP.	-25°C~90°C
PRESSURE	16kgf/cm ²
SPEED	1m/s

PP type

ITEM	ID	OD	h	t	D1	D2	H
NTP-008	8	11.6	3.5	2.8	8.5	10	3.3
NTP-009.5	9.5	15	4.6	3.7	10	12	4.5
NTP-012	12	18	5	4.1	13	15.5	4.8
* NTP-014	14	22	7.8	6.3	15	19	7
* NTP-016	16	22	5.5	4.5	17	19.5	5.2
NTP-016A	16	24	7.8	6.3	17	21	7
* NTP-018	18	26	7.8	6.3	19	23	7
NTP-020	20	28	7.8	6.3	21	24	7
* NTP-022	22	30	7.8	6.3	23	26	7
NTP-025	25	33	7.8	6.3	26	29	7
NTP-028	28	36	7.8	6.3	29	32	7
NTP-030	30	40	7.8	6.3	31.5	35	7
* NTP-032	32	42	7.8	6.2	33.5	37	7
* NTP-036	36	46	7.8	6.2	37.5	41	7
NTP-040	40	50	7.8	6.2	41.5	45	7
NTP-050	50	60	7.8	6.2	51.5	55	7
* NTP-057	57	74	11	11	60	65	12.5
* NTP-078	78	95	11	11	81	86	12.5

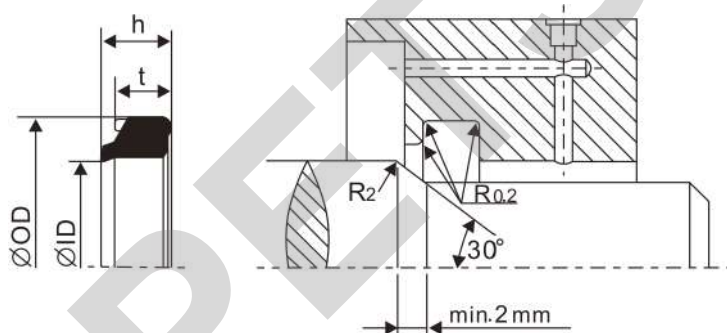
NTU CUSHION SEAL



APPLICATION	
MATERIAL	PU
TEMP.	-35°C~80°C
PRESSURE	16kgf/cm ²
SPEED	1m/s

ITEM	ID	OD	h	D1	D2	d1	H	f
NTU-016	16	24	7.8	17	21	14	7	2
NTU-020	20	28	7.8	21	24	17.5	7	2
NTU-022	22	30	7.8	23	26	19.5	7	2
NTU-025	25	33	7.8	26	29	22.5	7	2
NTU-028	28	36	7.8	29	32	25.5	7	2
NTU-030	30	40	7.8	31.5	35	27.5	7	2
NTU-035	35	45	7.8	36.5	40	32	7	2
NTU-040	40	50	7.8	41.5	45	37	7	2
NTU-050	50	60	7.8	51.5	55	47	7	2

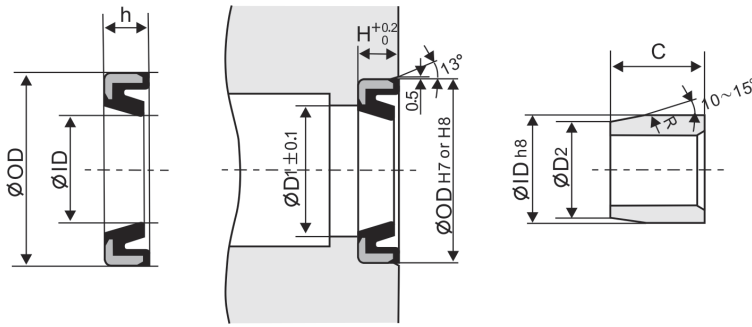
NTU CUSHION SEAL



APPLICATION	
MATERIAL	NBR
TEMP.	-25°C~90°C
PRESSURE	16kgf/cm ²
SPEED	1m/s

ITEM	ID	OD	t	h	H
NTU-015	14.5	22	6.1	7.5	7
NTU-020	20	26.6	4.3	6.1	7
NTU-028	27.2	36.9	7	8	7
NTU-035	34.3	45	6.7	8.4	7

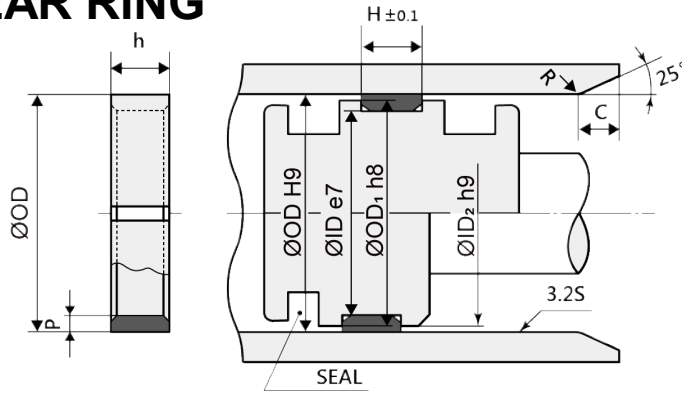
NVB CUSHION SEAL



APPLICATION	
MATERIAL	NBR+STEEL
TEMP.	-20°C~80°C
PRESSURE	10kgf/cm ²
SPEED	1m/s

ITEM	ID	OD	h	H	D1	D2	C
NVB-016	16	24	4.7	5	18.5	14	15~20
NVB-020	20	28	4.7	5	22.5	18	15~20
NVB-024	24	32	4.7	5	26.5	22	15~20
NVB-025	25	33	4.7	5	27.5	23	15~30
NVB-028	28	36	4.7	5	30.5	26	15~30
NVB-030	30	40	5.6	6	33	28	20~30
NVB-035	35	45	5.6	6	38	33	20~30
NVB-040	40	50	5.6	6	43	38	20~40
NVB-045	45	55	5.6	6	48	43	20~40
NVB-050	50	62	6.6	7	53	48	25~40
NVB-055	55	67	6.6	7	58	53	25~40
NVB-060	60	72	6.6	7	63	58	25~40
NVB-065	65	77	6.6	7	68	63	25~40
NVB-065A	65	80	6.6	7	68	63	25~40

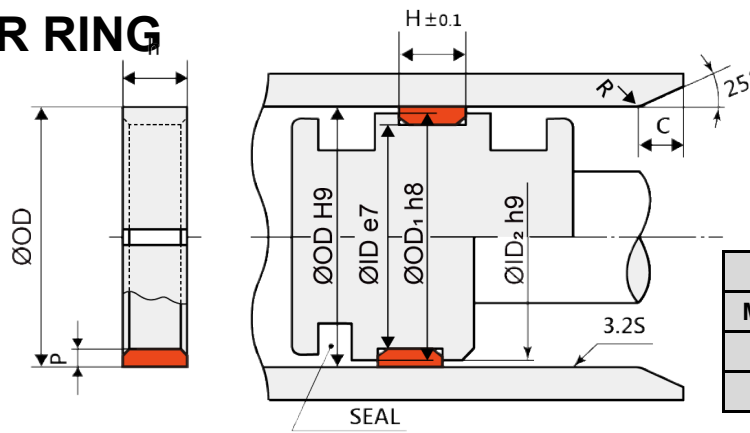
WRFP WEAR RING



APPLICATION	
MATERIAL	PTFE
TEMP.	-55°C~200°C
SPEED	3m/s

ITEM	OD	ID	h	P	D1	COLOUR
* WRFP-020	20	17	3	1.5	19.5	WHITE
* WRFP-025	25	22	3	1.5	24.5	WHITE
* WRFP-030	30	27	4	1.5	29.5	WHITE
* WRFP-032	32	29	4	1.5	31.5	WHITE
* WRFP-040	40	36	5	2	39.5	BLACK
* WRFP-050	50	46	5	2	49.5	BLACK
* WRFP-063	63	59	6	2	62.4	BLACK
WRFP-080	80	76	8	2	79.4	BLACK
WRFP-100	100	95	10	2.5	99.4	BLACK
WRFP-125	125	120	10	2.5	124.3	BLACK
* WRFP-140	140	135	10	2.5	139.3	BLACK
* WRFP-150	150	145	10	2.5	149.3	BLACK
WRFP-160	160	155	10	2.5	159.3	BLACK
* WRFP-180	180	175	10	2.5	179.3	BLACK
WRFP-200	200	195	10	2.5	199.2	BLACK
* WRFP-250	250	245	10	2.5	249.2	BLACK
* WRFP-300	300	295	10	2.5	299.2	BLACK

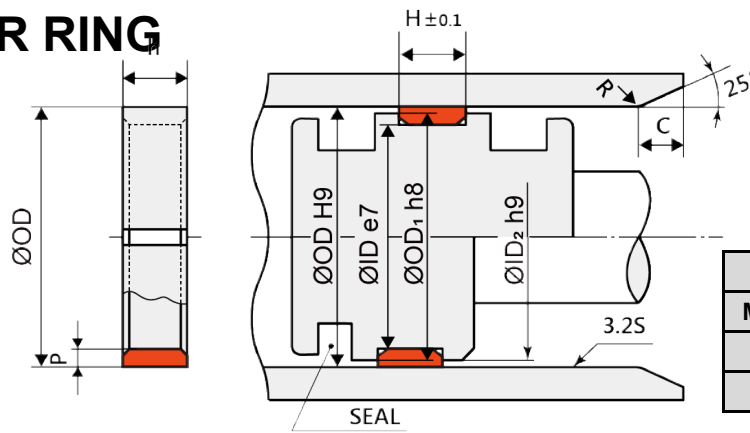
WROM WEAR RING



APPLICATION	
MATERIAL	POM
TEMP.	-40°C~100°C
SPEED	1m/s

ITEM	OD	ID	h
WROM-008	8	5	2
WROM-020	20	17	2
WROM-025	25	22	2
WROM-030	30	27	2
WROM-010	10	7	3
WROM-012	12	9	3
WROM-015	15	12	3
WROM-016	16	13	3
WROM-018	18	15	3
WROM-022	22	18	3
WROM-030	30	27	3
WROM-032	32	29	3
WROM-040	40	37	3
WROM-050	50	47	3
WROM-063	63	60	3
WROM-080	80	77	3
WROM-100	100	97	3
WROM-025	25	22	4
WROM-040	40	36	4
WROM-050	50	46	4
WROM-050	50	47	4
WROM-063	63	59	4
WROM-080	80	76	4
WROM-100	100	96	4
WROM-040	40	37	5
WROM-050	50	47	5
WROM-063	63	60	5
WROM-080	80	76	5
WROM-080	80	77	5
WROM-100	100	97	5
* WROM-032	32	29	5.9
WROM-063	63	58	6
WROM-080	80	76	6
WROM-100	100	96	6
WROM-050	50	45	6.35
WROM-040	40	37	7.9
WROM-063	63	60	7.9
WROM-065	65	61	7.9
WROM-063	63	59	8

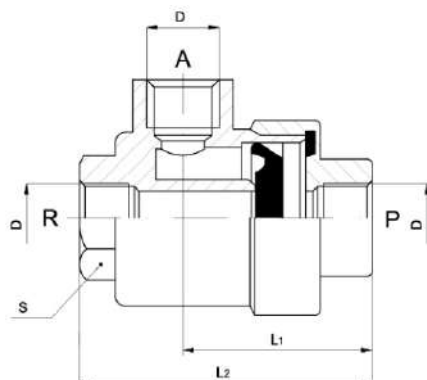
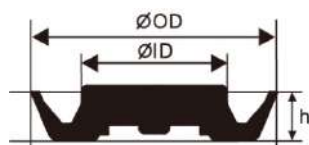
WROM WEAR RING



APPLICATION	
MATERIAL	POM
TEMP.	-40°C~100°C
SPEED	1m/s

ITEM	OD	ID	h
WROM-080	80	75	8
WROM-100	100	95	8
WROM-100	100	96	8
WROM-032	32	28	9.6
WROM-040	40	36	9.7
WROM-050	50	46	9.7
WROM-063	63	58	9.7
WROM-080	80	75	9.7
* WROM-032	32	28	9.9
* WROM-040	40	36	9.9
* WROM-080	80	76	9.9
* WROM-100	100	96	9.9
WROM-019	19	16	12
WROM-040	40	36	12
WROM-063	63	59	12
WROM-029	29	25	15

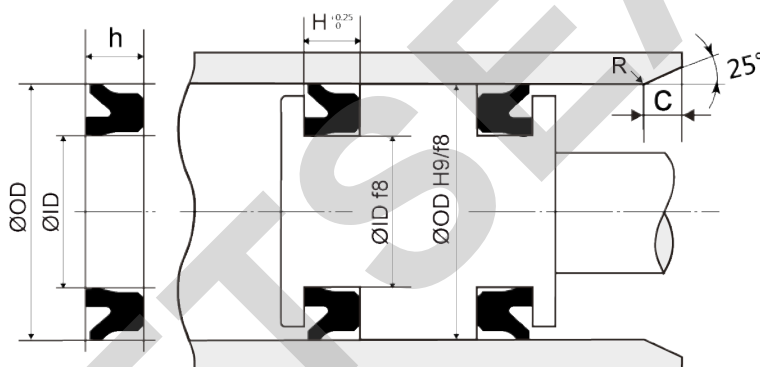
QUICK EXHAUST VALVES SEALS



APPLICATION		
MATERIAL	PU	FKM
TEMP.	-20~70°C	-20~120°C
PRESSURE	1~10 kg/cm ²	1~10 kg/cm ²

D	ITEM	OD	ID	h	L1	L2	S
1/8"	D-20	20.2	6	7.5	30	46	14
1/4" / 3/8"	D-25	25	13.5	8.5	35	53	17/21
1/2" (PU)	D-35	35	14.5	12	45	73	26
1/2" (FKM)	D-35	36	20.5	8			
3/4"	D-40	39.8	18	13	55	90	32
3/4"maxi / 1"maxi	D-58	58	20	27.5	71	110	46

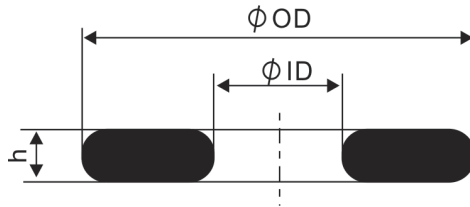
AYP PISTON SEAL



APPLICATION	
MATERIAL	NBR
TEMP.	-20°C~60°C
PRESSURE	10kgf/cm ²
SPEED	1m/s

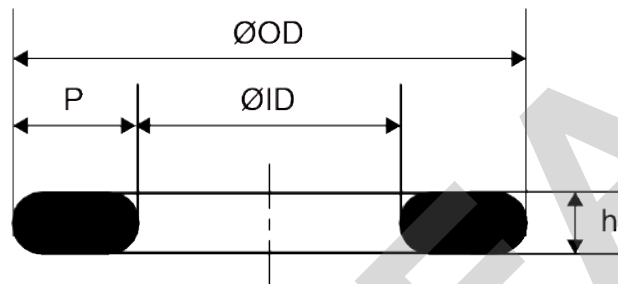
ITEM	OD	ID	h	H
AYP-006	6	3	2.1	2.5
AYP-008	8	5	2.1	2.5
AYP-010	10	7	2.1	2.5
AYP-012	12	9	2.1	2.5
AYP-014	14	10	2.8	3.2
AYP-015	15	11	2.8	3.2
AYP-016	16	12	2.8	3.2
AYP-018	18	13.6	3.0	3.2
AYP-018	18	14	2.8	3.2
AYP-020	20	16	2.8	3.2
AYP-022	22	18	2.8	3.2
AYP-024	24	20	2.8	3.2
AYP-025	25	21	2.8	3.2

I-RING SOLENOID VALVE SEAL



APPLICATION	
MATERIAL	HNBR
TEMP.	-30°C~120°C
PRESSURE	10kgf/cm ²
SPEED	1m/s

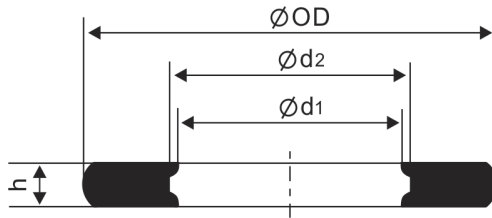
ITEM	BOREØ (inch)	OD	ID	h	MODEL	
G1014	1/8"	7.3	3.3	1	4A110	4V110
G1021	1/4"	10.2	5	1	4A210	4V210
G1027	3/8"	11.8	5.5	1	4A310	4V310
G1028	1/2"	16.2	8.4	1.1	4A410	4V410



APPLICATION	
MATERIAL	HNBR
TEMP.	-30°C~120°C
PRESSURE	10kgf/cm ²
SPEED	1m/s

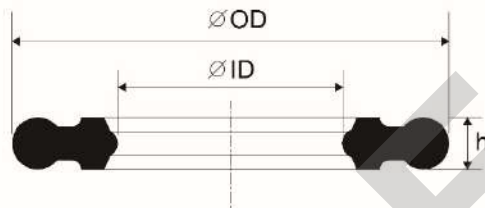
ITEM	OD	ID	h	P
* NSP-5	5.00	3	0.50	1
* NSP-5.4	5.40	2.25	0.50	1.575
* NSP-6	6.00	3	0.70	1.5
NSP-7.62	7.62	3.9	0.88	1.86
* NSP-7	7.00	3.5	0.90	1.75
NSP-10.2	10.20	6.2	0.90	2
NSP-10.2A	10.20	6.3	0.90	1.95
NSP-7.8	7.80	5	1.20	1.4
NSP-10	10.00	5	1.30	2.5
NSP-10.2B	10.20	5	1.30	2.6
NSP-10.35	10.35	5	1.30	2.675
NSP-10.4	10.40	5	1.30	2.7
NSP-12	12.00	6.8	1.60	2.6
* NSP-12.5	12.50	6.5	1.60	3
* NSP-16	16.30	8.2	1.60	4.5
* NSP-24	24.30	12.7	1.60	5.8

I-RING SOLENOID VALVE SEAL



APPLICATION	
MATERIAL	HNBR
TEMP.	-30°C~120°C
PRESSURE	10kgf/cm ²
SPEED	1m/s

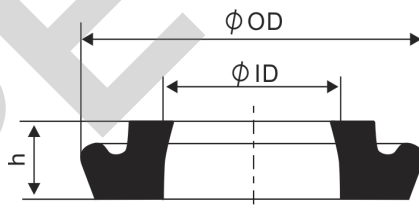
ITEM	OD	d1	d2	h
* I-RING-6.12	6.12	2.9	3.1	0.66
I-RING-7.7	7.7	3.9	4.1	0.8
* I-RING-9.88	9.88	5	5.2	1.07
* I-RING-9.88	9.88	5.94	6.14	0.97
I-RING-10.4	10.4	5	5.2	1.3
I-RING-12.6	12.6	7.4	7.8	1.4
* I-RING-15.1	15.06	7.9	8.2	1.36
* I-RING-23.1	23.1	14.9	15.3	1.375



APPLICATION	
MATERIAL	HNBR
TEMP.	-30°C~120°C
PRESSURE	10kgf/cm ²
SPEED	1m/s

ITEM	OD	ID	h
I-RING-13.0	13	6.70	1.53
I-RING-15.0	15	9.67	1.53

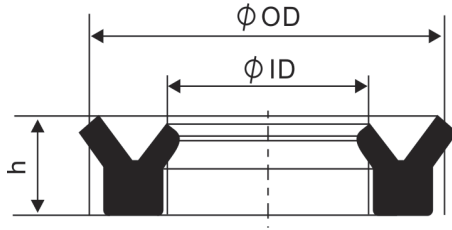
J-RING SOLENOID VALVE-PISTON SEAL



APPLICATION	
MATERIAL	HNBR
TEMP.	-30°C~120°C
PRESSURE	10kgf/cm ²
SPEED	1m/s

ITEM	BOREØ (inch)	OD	ID	h	MODEL
G1019	1/4"	10.25	6	2	4A210 4V210
G1025	3/8"	11.75	7.7	2	4A310 4V310
G1022	1/2"	16.3	11.7	2.9	4A410 4V410

NPR SOLENOID VALVE-ROD SEAL



APPLICATION	
MATERIAL	NBR
TEMP.	-30°C~120°C
PRESSURE	10kgf/cm ²
SPEED	1m/s

ITEM	BOREØ (inch)	ID	OD	h	MODEL
NPR-010	1/8"	10	14.3	2	4V110
NPR-014	1/4"	13.3	18.1	2.2	4V210
NPR-017	3/8"	16.8	21.4	3.2	4V310

PETSEALS



PETSEALS INDUSTRIES LTD.

ADD:No.9, Ln.229, Sec.1, Zhongshan Rd.,
Wuri Dist., Taichung City 414, Taiwan

TEL : 886-4-23367239 FAX : 886-4-23366057

E-mail: petseals@petseals.com